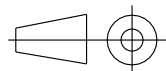
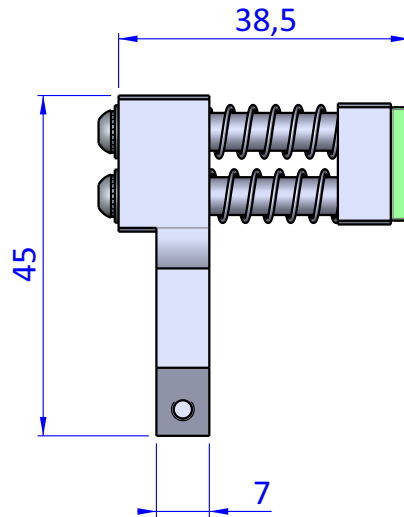
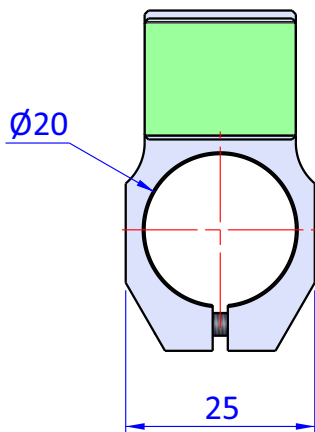
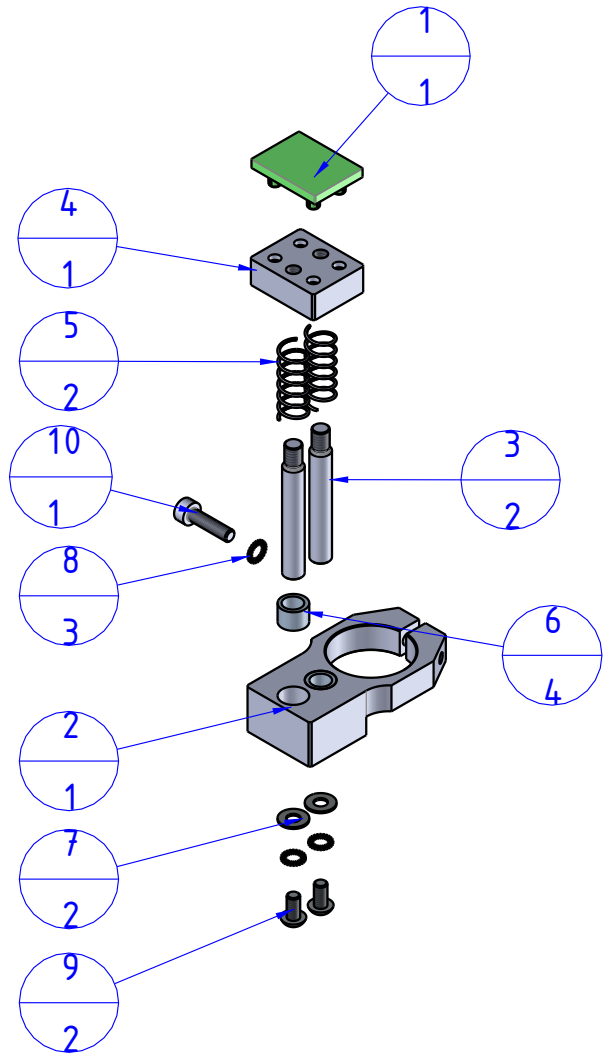


THE PROPERTY OF THE DRAWING IS ESTABLISHED BY LAW. IT IS FORBIDDEN TO PRODUCE OR SHOW IT TO THIRD PART. WITHOUT A WRITTEN AGREEMENT.

Item	Name	Q.ty
1	GRF20.95.08.V	1
2	GRF20.95.11	1
3	GRF20.95.12	2
4	GRF20.95.13	1
5	M.7X18	2
6	PAP.050705	4
7	R.3	2
8	R.3.SCH	3
9	V.TBCE.3X6.BUTT	2
10	V.TCE3x12	1



DESIGNED FROM	FPS Automation		REVIEW
DATE	26/04/2022	WEIGHT	0,027kg
CODE	GRF20.VSX		

Format	A4
UNI 936-76	

GENERAL TOLERANCE	DESCRIPTION
UNI - ISO 2768	GRF20.VSX
CLASSE f	